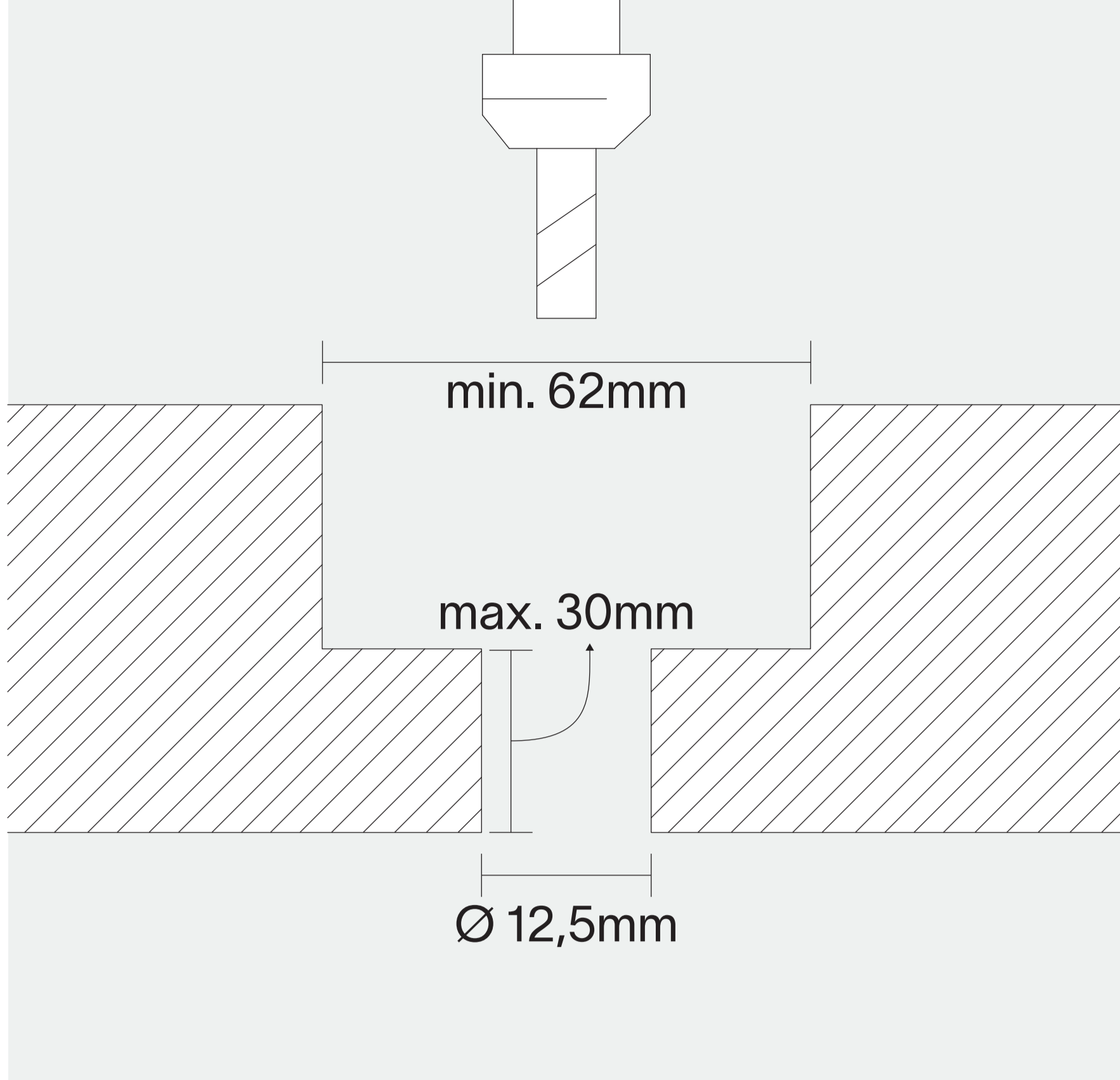


# clt ring jack

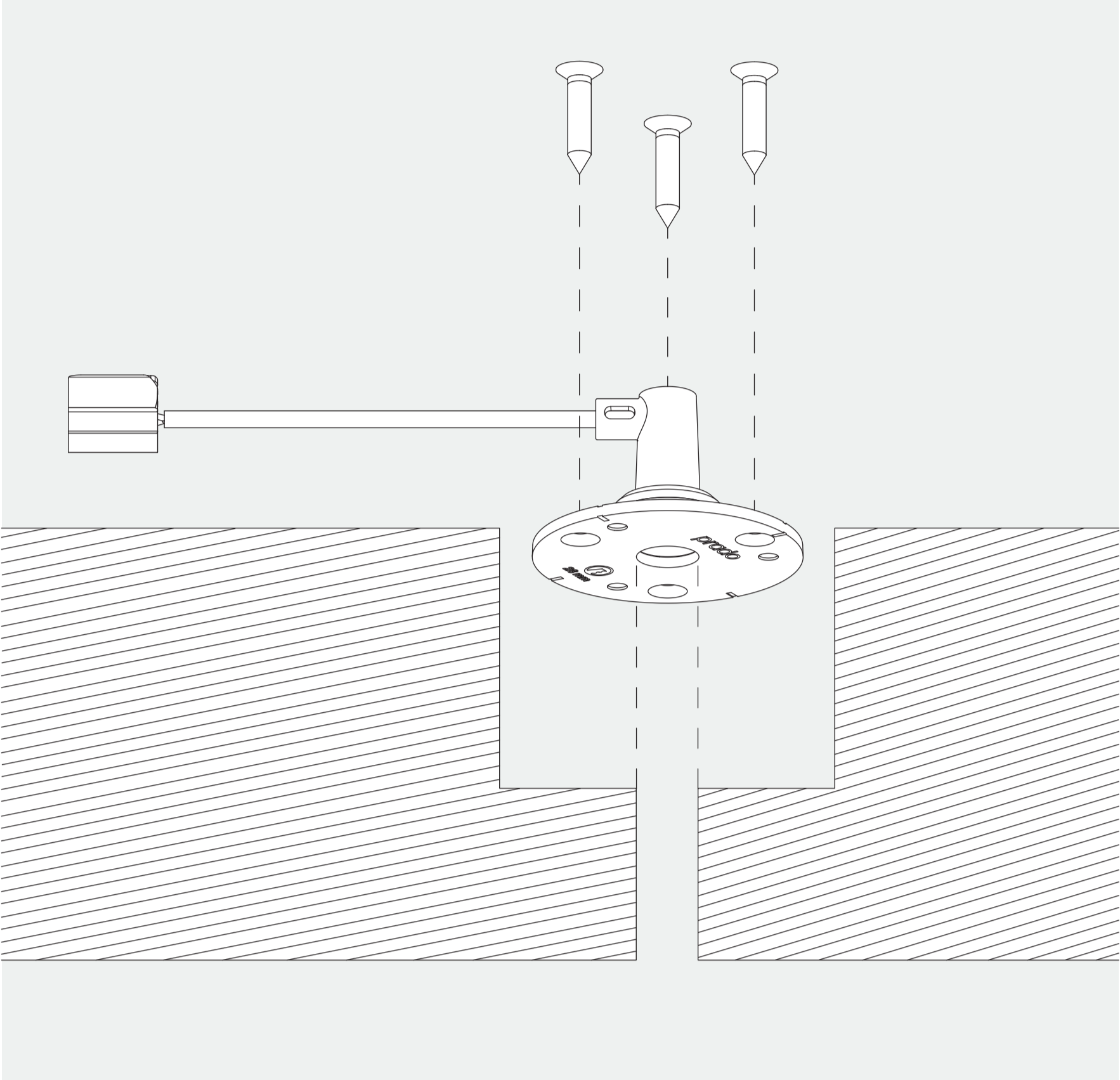
## installation instruction

1



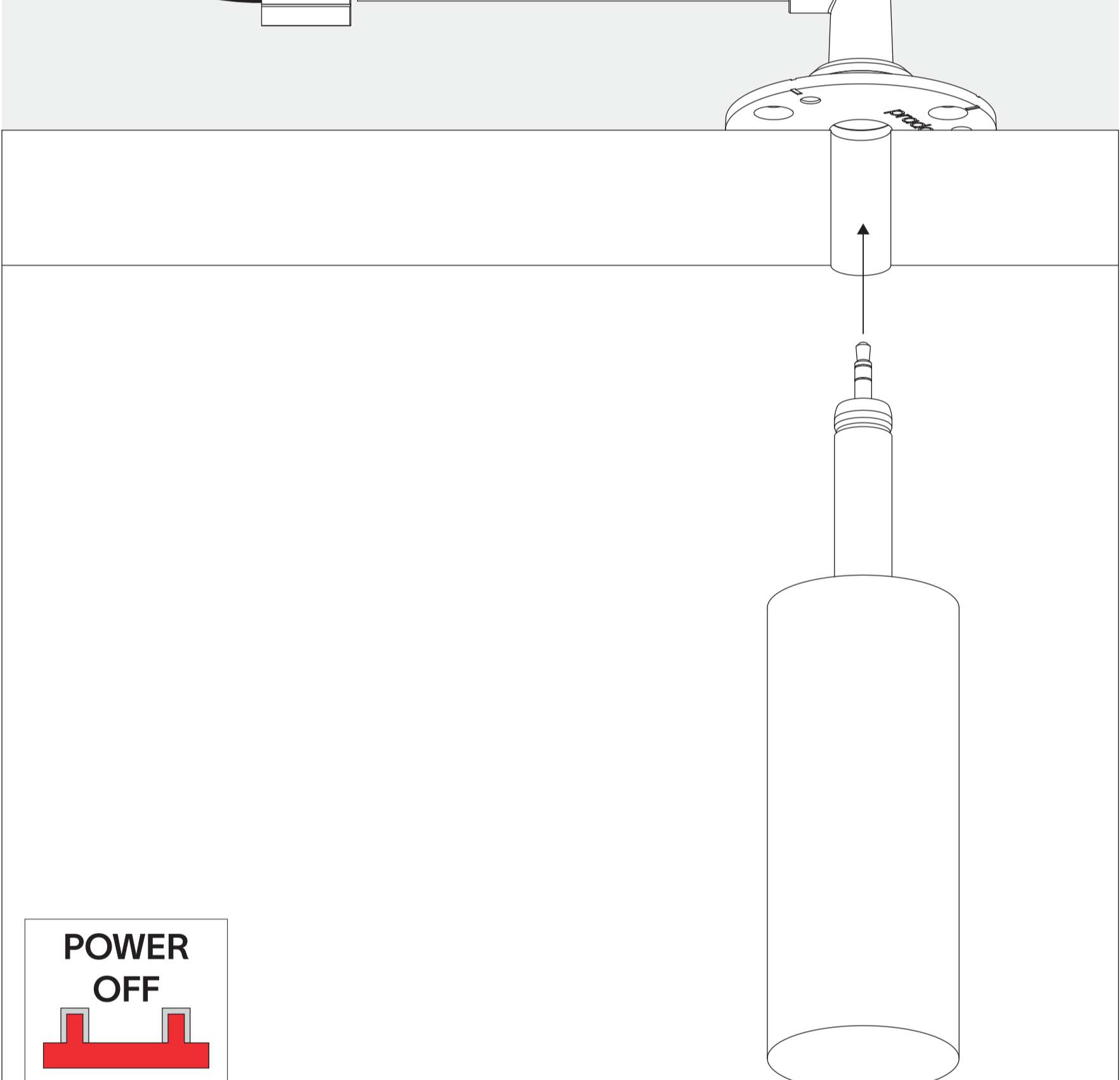
Drill a round hole with the above dimensions.

2



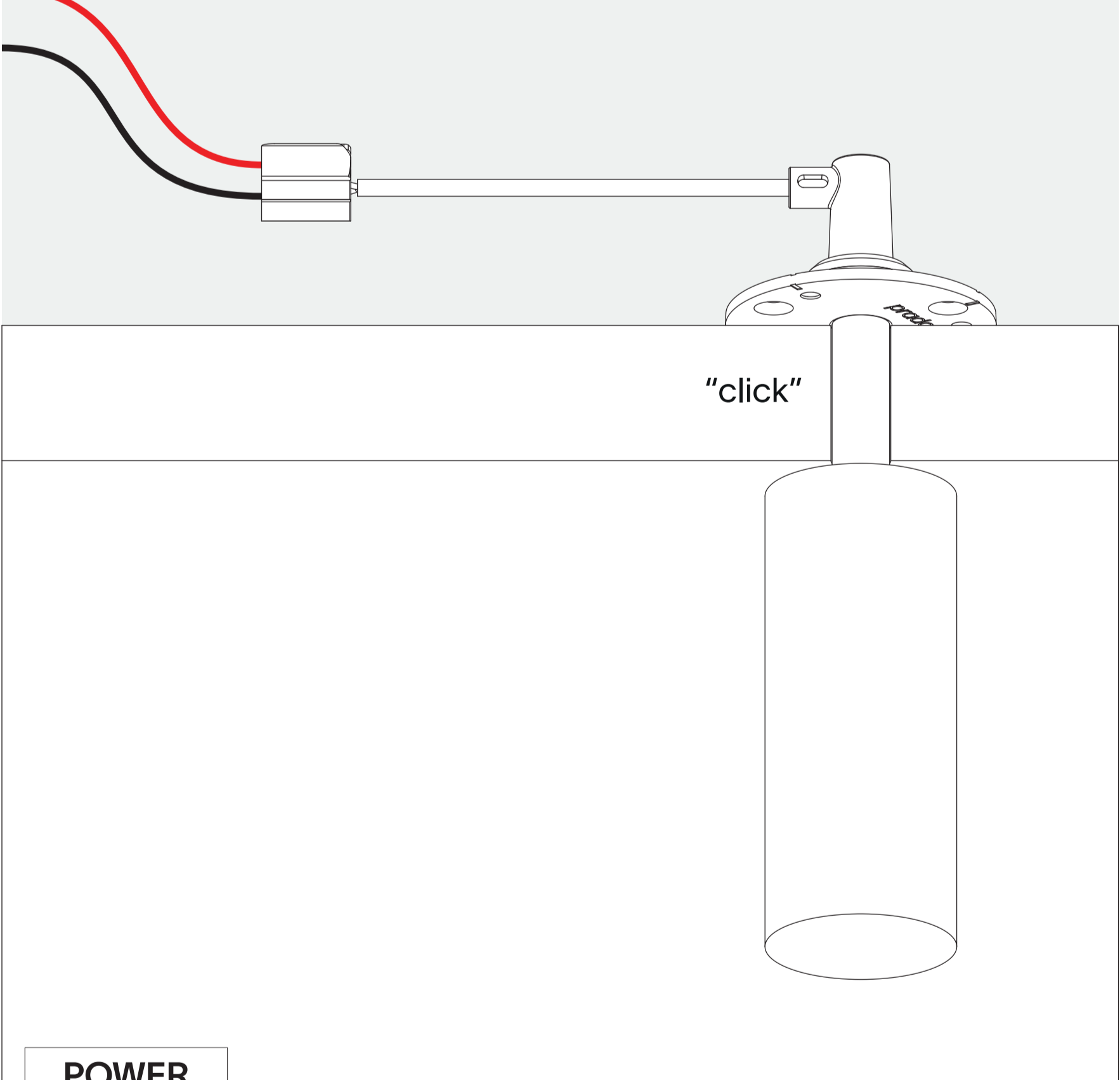
fasten the clt ring with the appropriate screws and make sure the kit is well positioned

3



make the electrical connection and test it before closing the ceiling. Do not plug or unplug the fixture while power is on

4



turn power on after plugging in the fixture

5



thank you for choosing prado