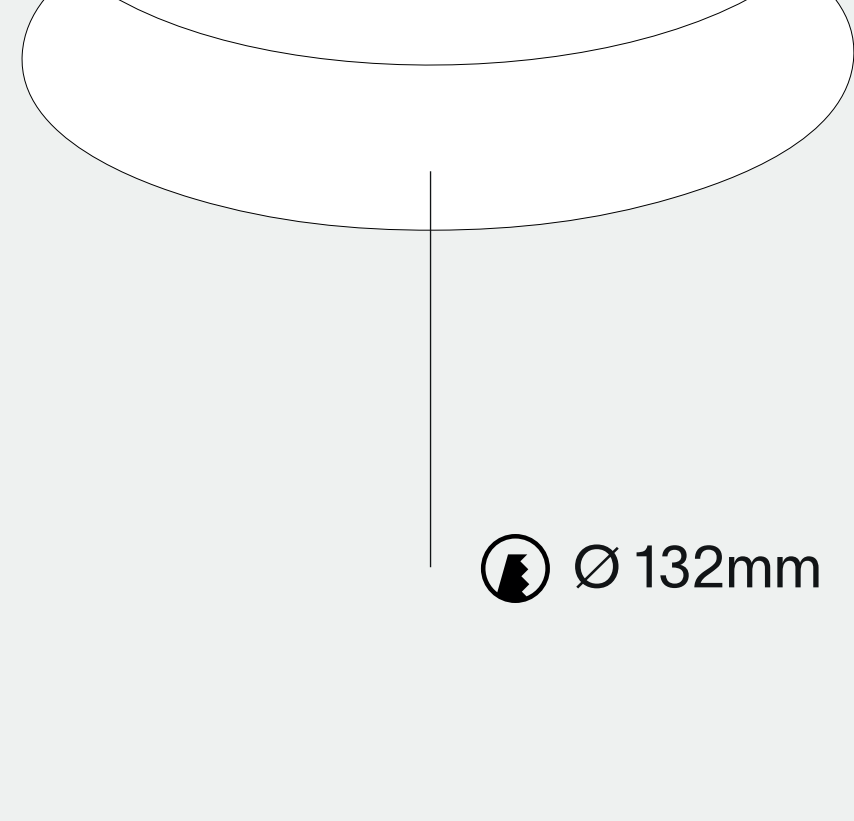


plaster ring Ø108

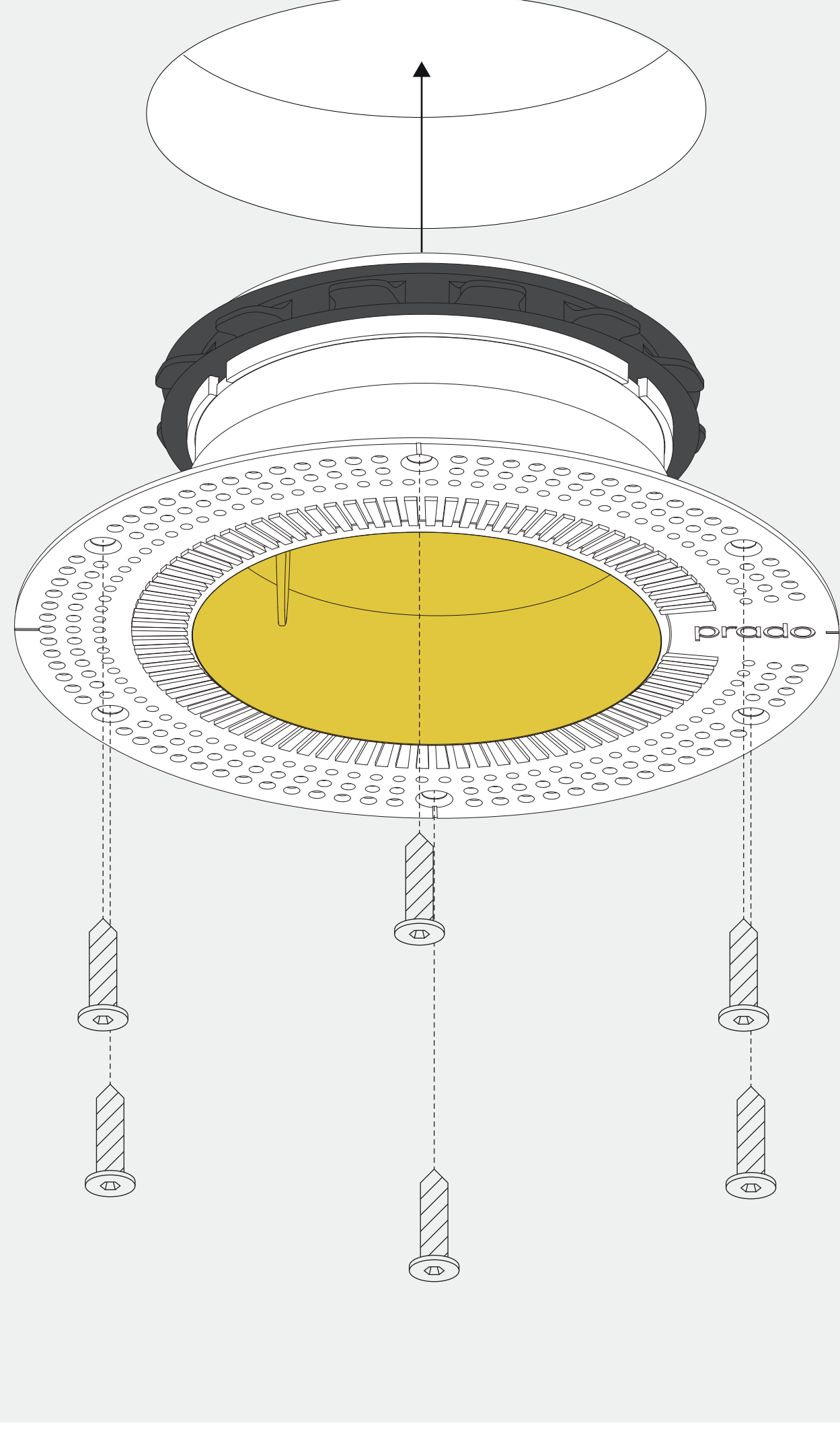
installation instruction

1



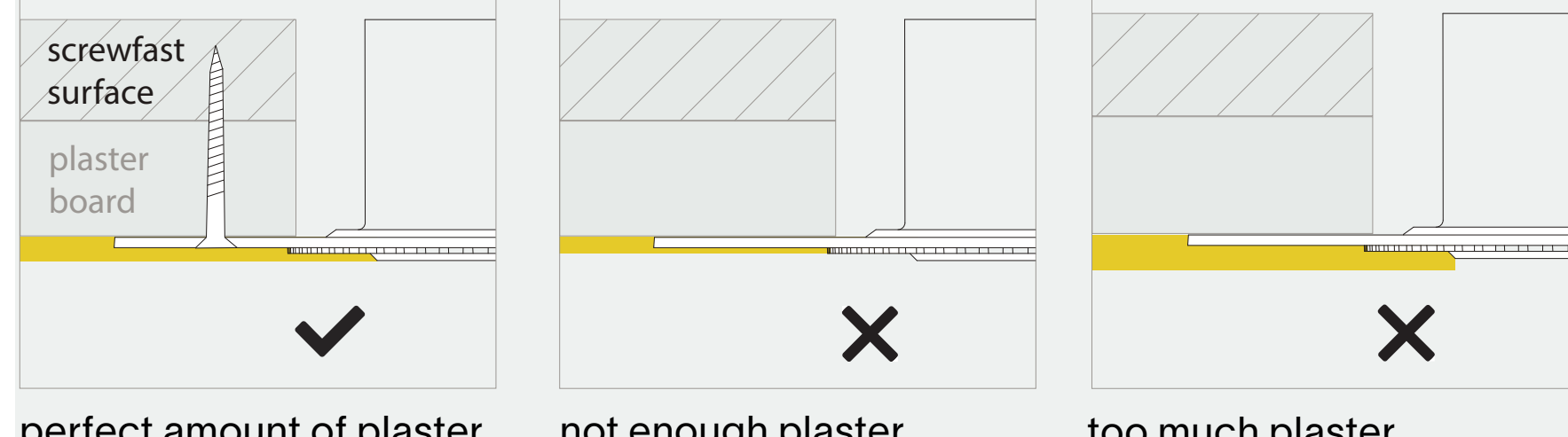
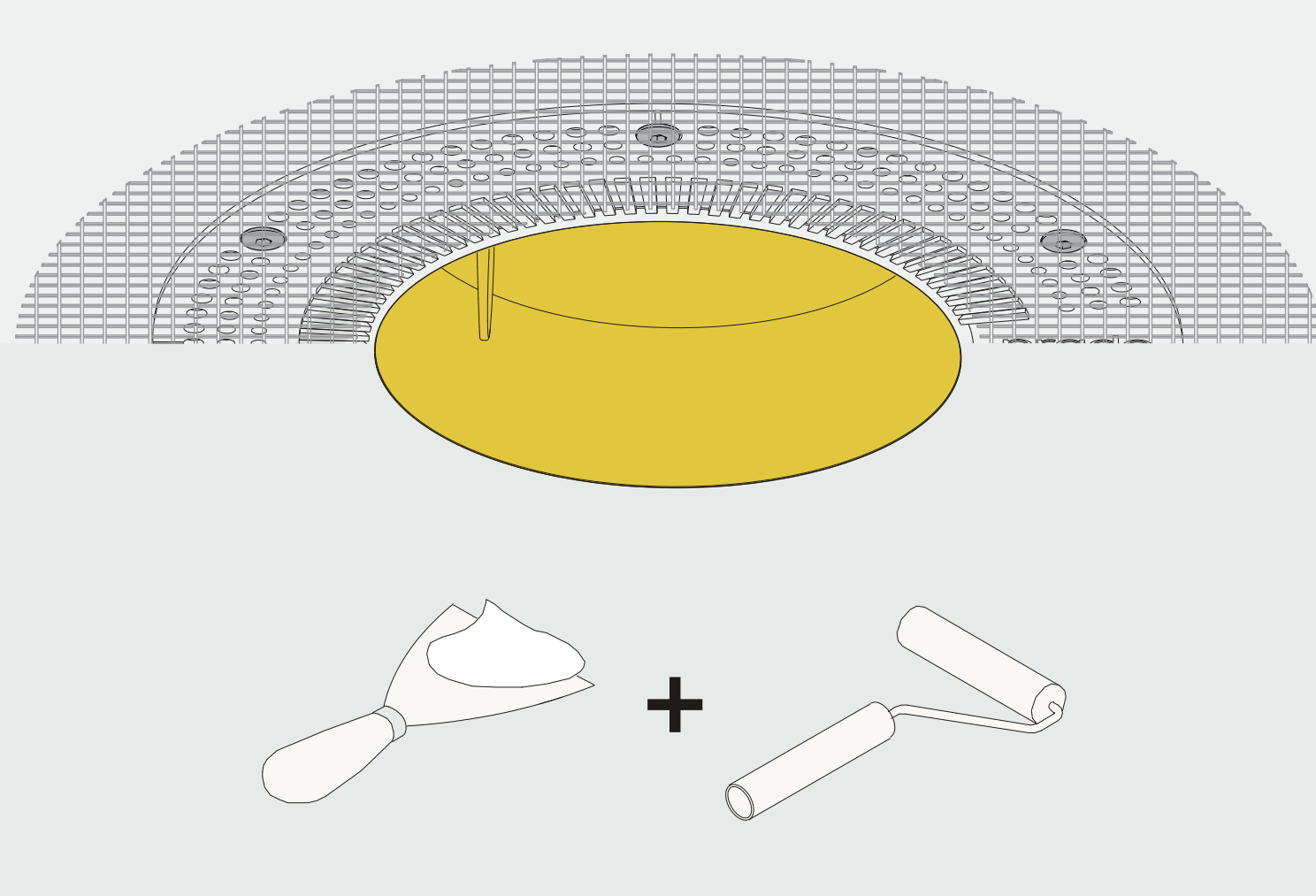
cut a round hole ($\varnothing 132$ h 85)

2



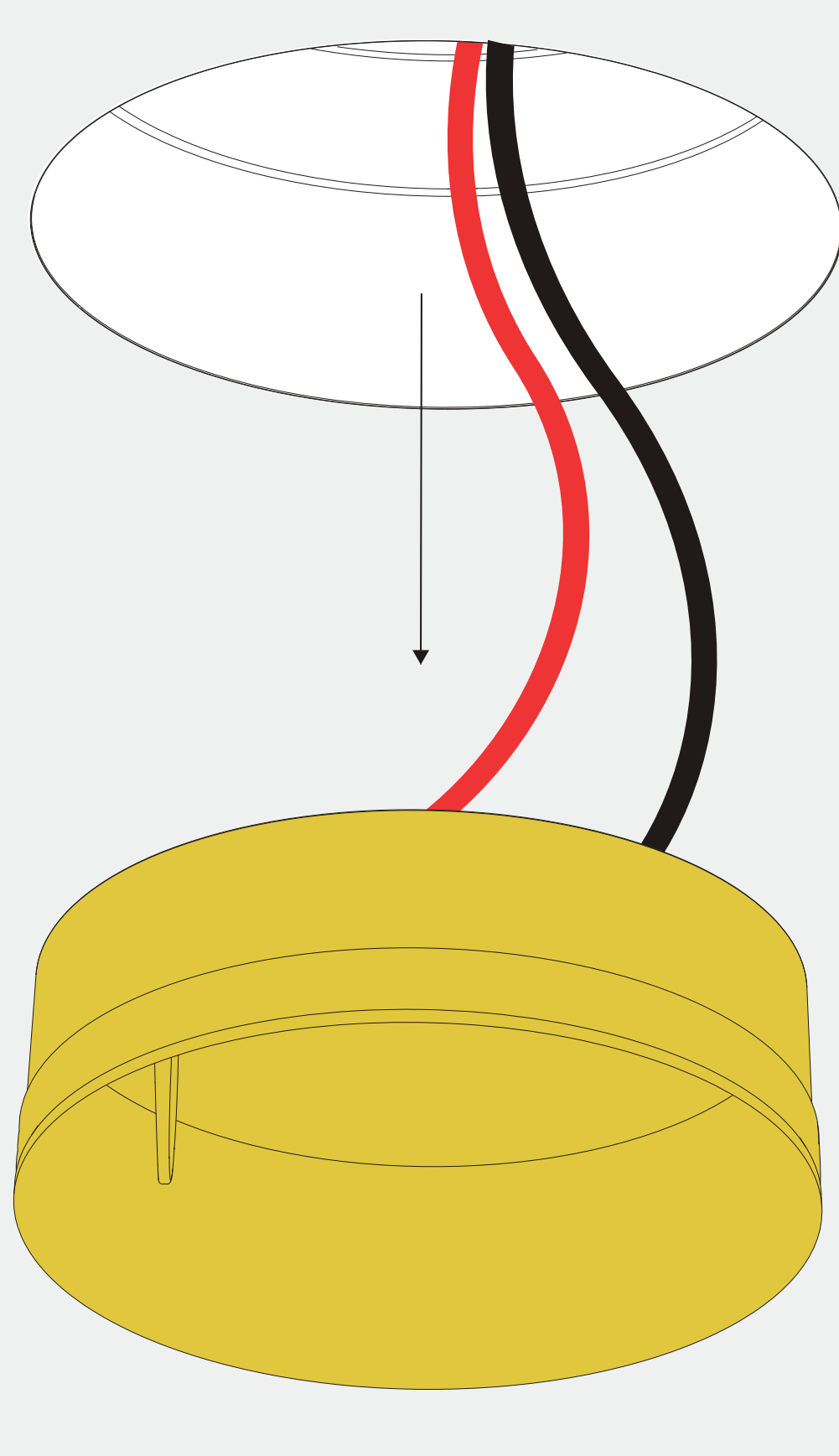
Insert the plaster ring and securely fasten it with glue or the appropriate screws on a screwfast surface. The attachment must be able to obtain a static load of 5 kg. It's the installers responsibility to ensure optimal attachment.

3



Excercise caution while plasering, do not damage the ring. Keep the plaster lid inside the plaster ring while plastering. Use a fiberglass mesh tape for optimal plaster adhesion. Make sure not to touch the edge of the ring when sanding.

4



Remove the plaster lid just before installing the fixture. It helps to keep the inside of your plaster ring free of filler, paint and dust. Any residue needs to be removed without damaging the edges of the plaster ring.

thank you for choosing prado