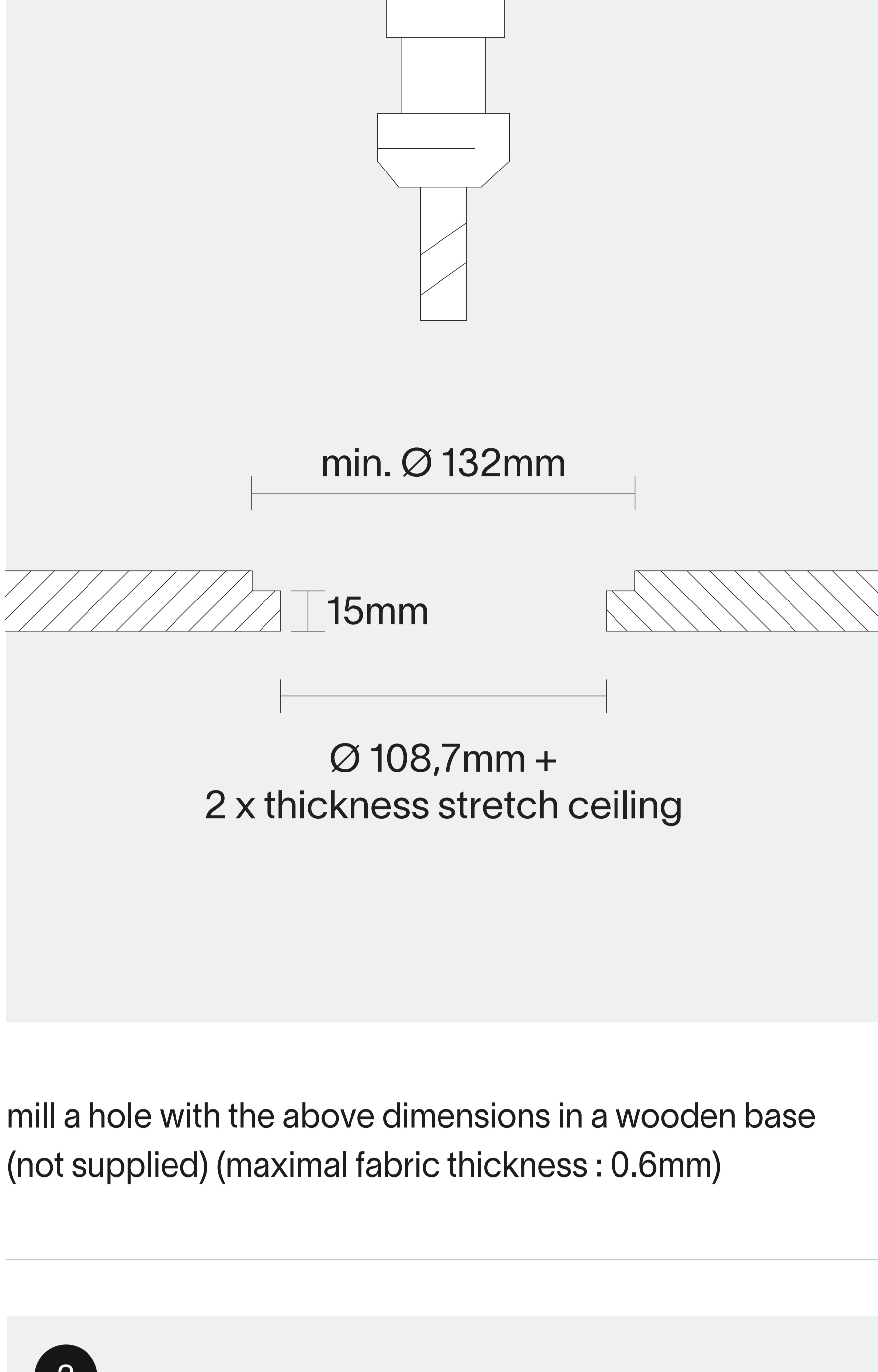
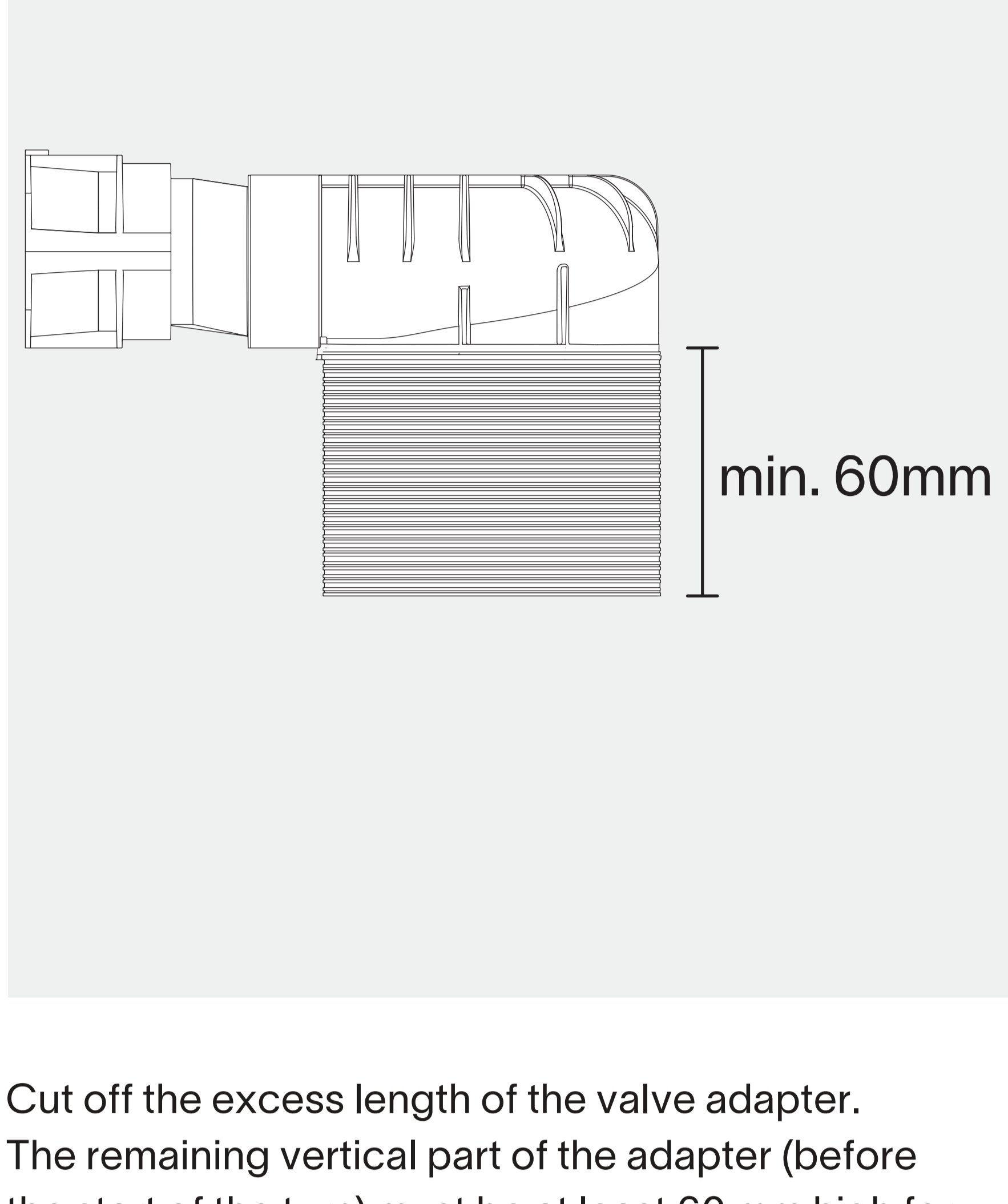


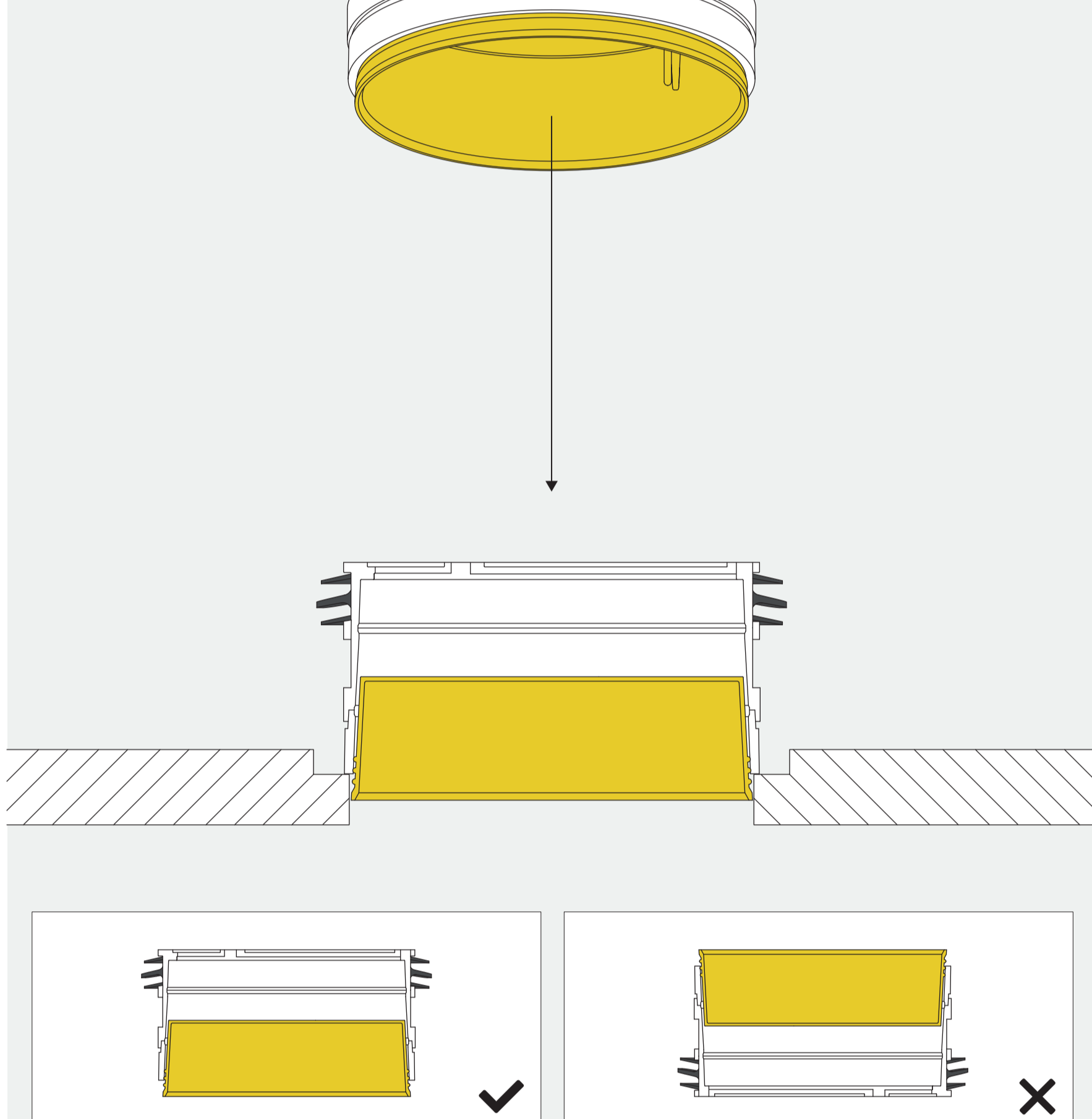
## cold stretch ceiling ring Ø108 installation instruction



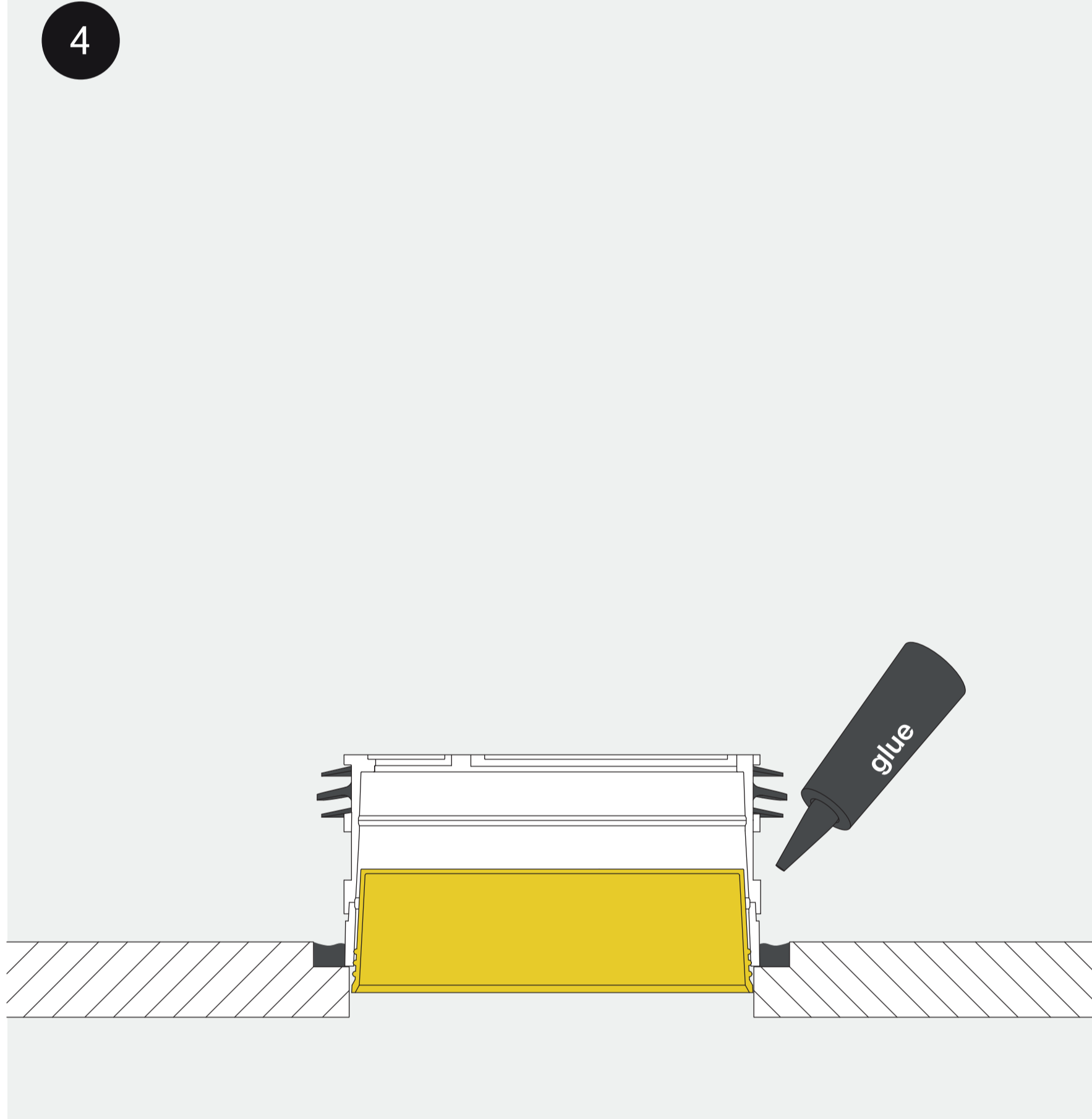
mill a hole with the above dimensions in a wooden base (not supplied) (maximal fabric thickness : 0.6mm)



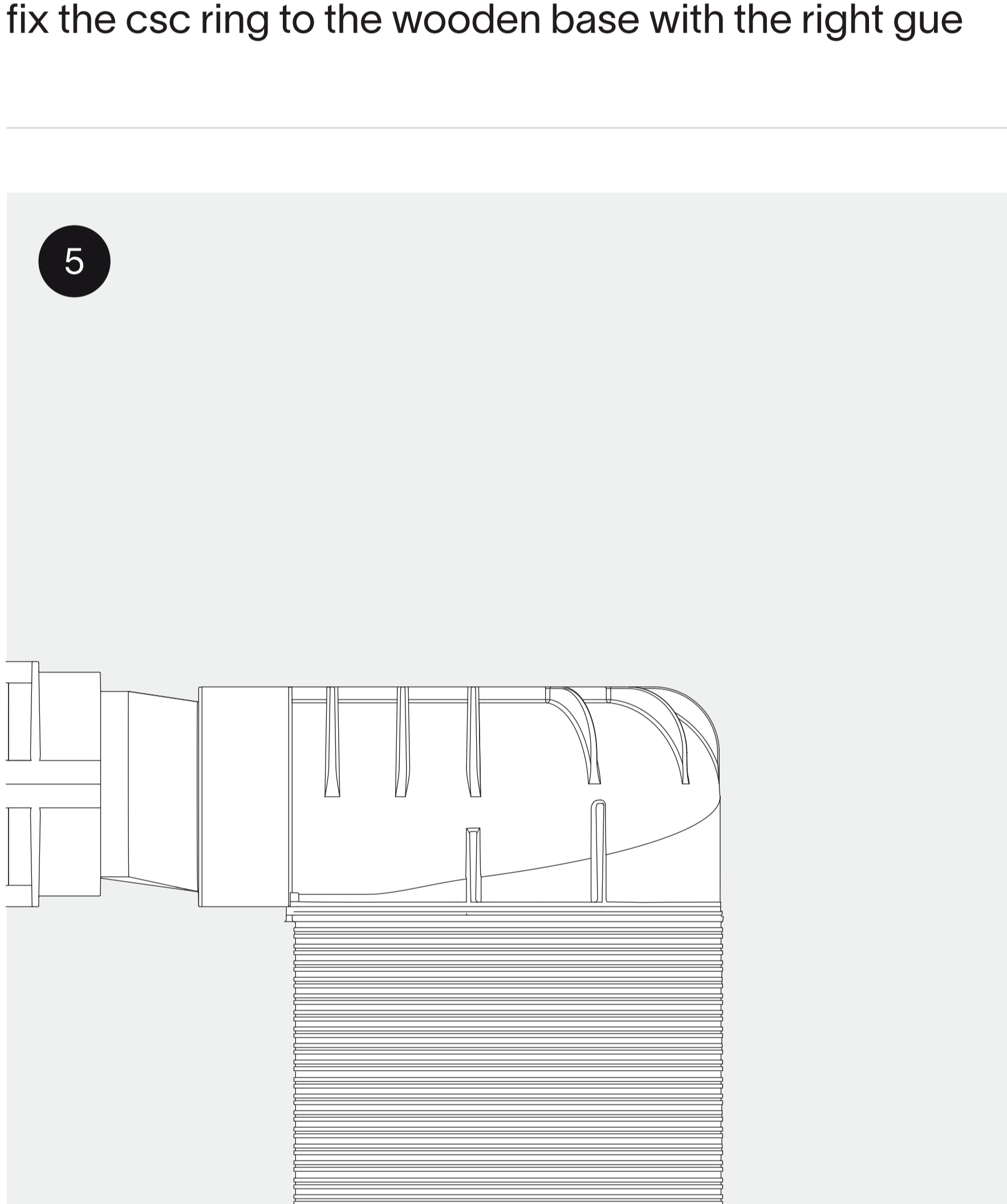
Cut off the excess length of the valve adapter. The remaining vertical part of the adapter (before the start of the turn) must be at least 60 mm high for the plaster ring.



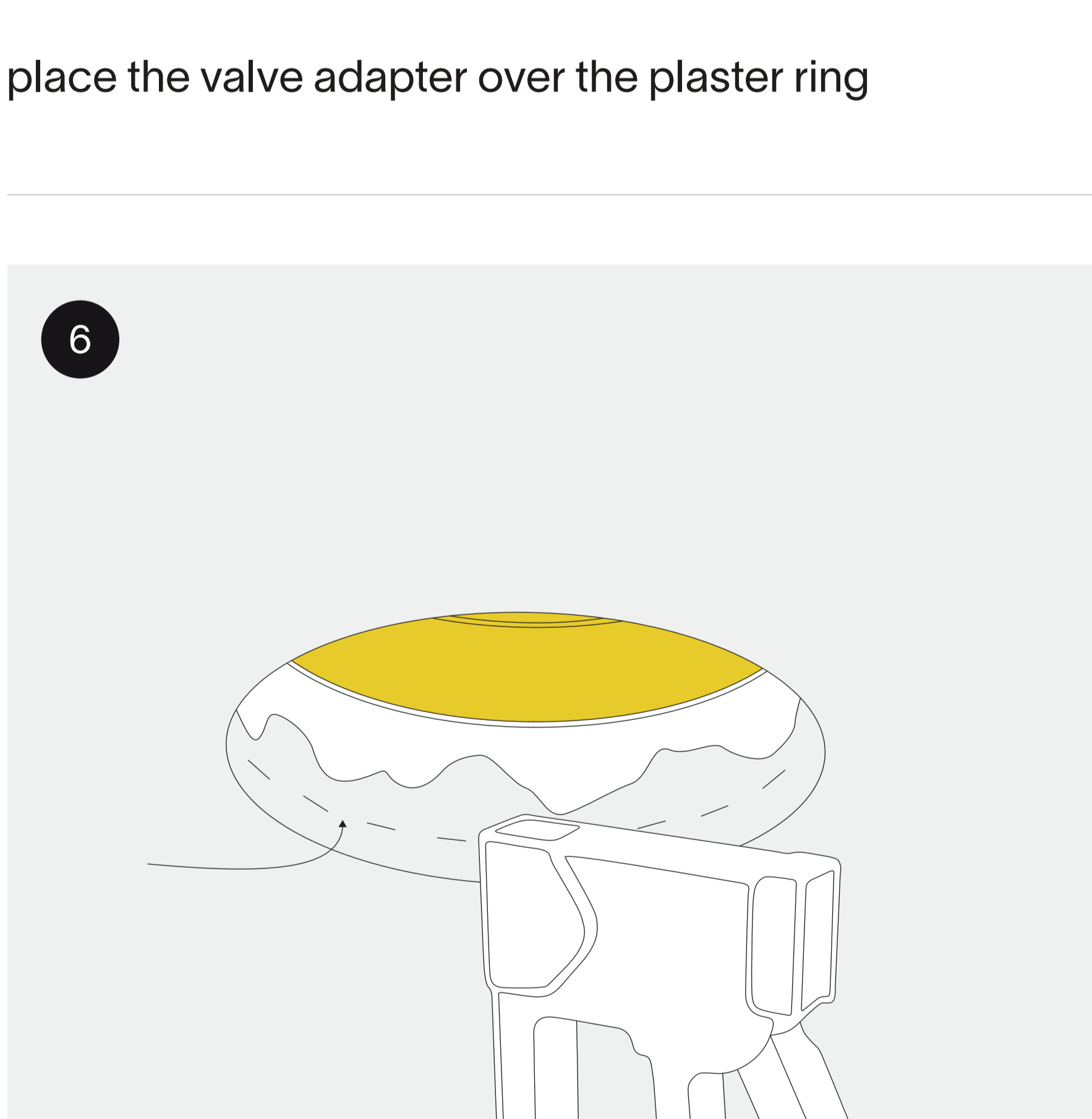
place the csc ring in the hole - yellow lid facing down



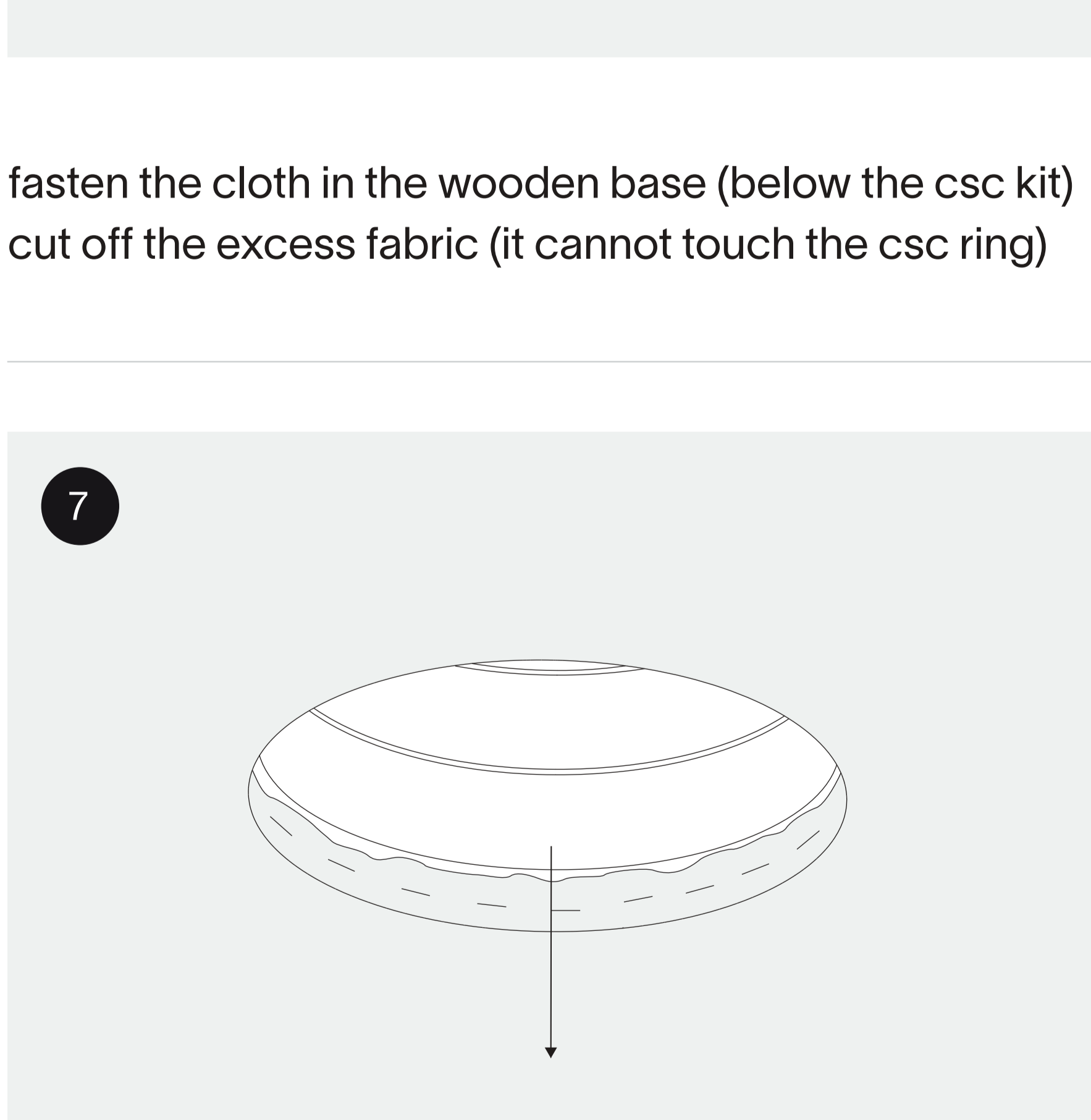
fix the csc ring to the wooden base with the right glue



place the valve adapter over the plaster ring



fasten the cloth in the wooden base (below the csc kit)  
cut off the excess fabric (it cannot touch the csc ring)



remove the yellow lid just before installing the fixture

thank you for choosing prado